
Open Radio Access Network

— Chuxu Song —

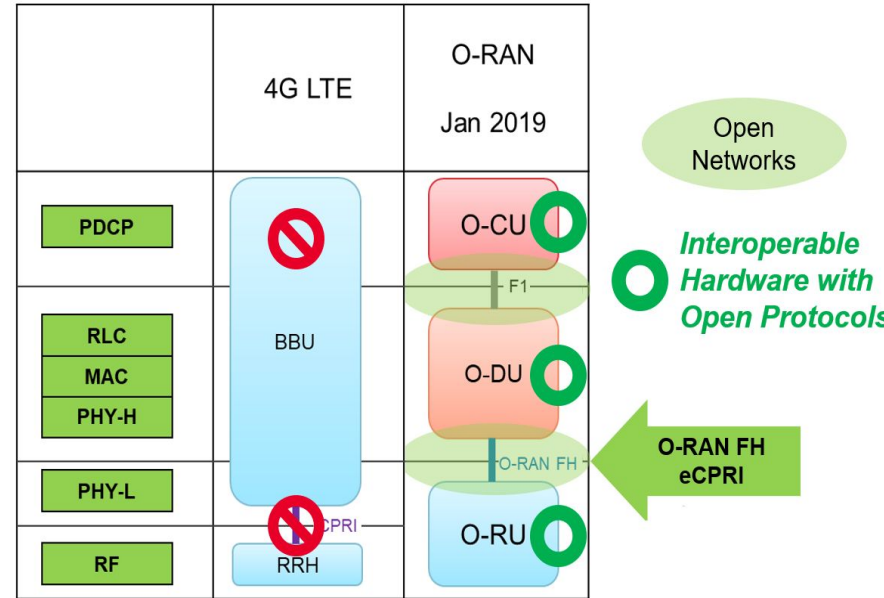
Project motivation

Previous version

- Each vendor have their own hardware and system
- Big companies monopolize the industry
- High cost

ORAN

- Virtualization of RAN components
- COTS(Commercial Off-The-Shelf) hardware



 *Closed Interfaces and Proprietary Hardware / Protocols*

5G Structure

Core network:

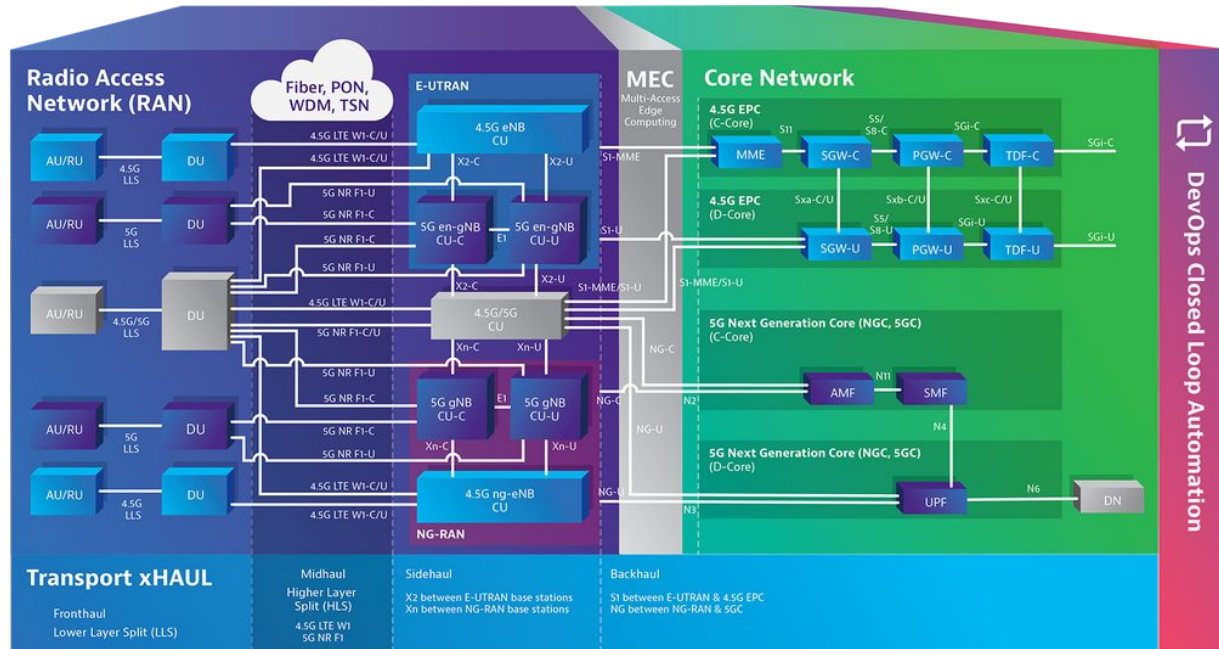
- Provide multiple function
-

Gnodb:

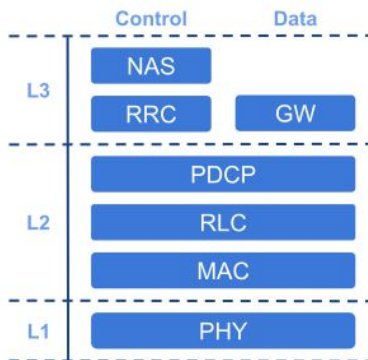
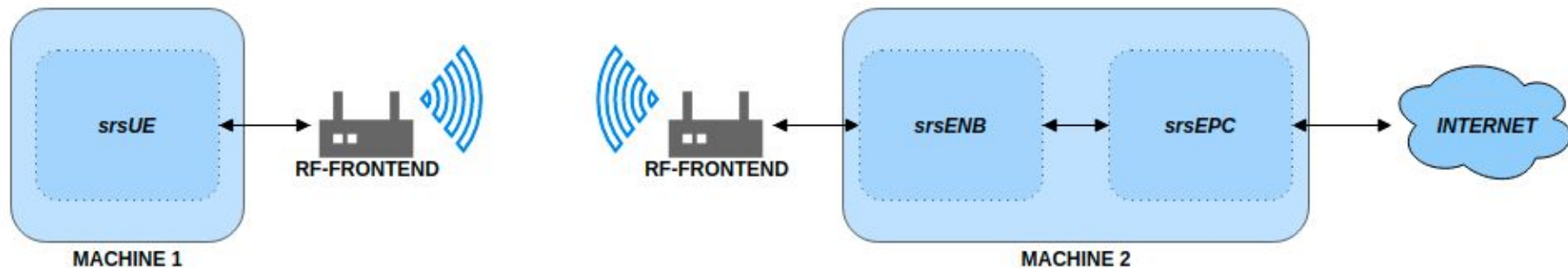
- Basestation
- Transmit radio signal

UE:

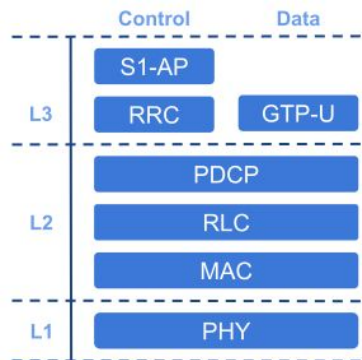
- User equipment



SRS-RAN



UE architecture



gNodeB architecture

Future Plan

Problem:

Gnb and UE connection are very unstable

UE sent context release requests

solution:

Upgrade logfile level

Observe internal interface



Question
